

### TPMC500 32 Channels of Isolated 12 bit A/D

#### Application Information

The TPMC500 is a PCI Mezzanine Card compatible module providing galvanically isolated 32 multiplexed 12 bit ADC with on board DC/DC converters. The data acquisition and conversion time is mode-dependent: Maximum 10µs without channel / gain change, maximum 12.5µs with channel / gain change. The 32 ADC input channels can be software configured to operate in single-ended or differential mode with 16 input channels. The mixed mode is possible e.g. channel 1 to channel 8 selected as differential inputs and channel 9 to channel 16 and channel 25 to channel 32 as single-ended input channels.

The ADC multiplexer is overvoltage protected up to 70Vpp. A programmable gain amplifier allows gains of 1, 2, 5, 10 (TPMC500-10, -12, -20 and -22) and 1, 2, 4, 8 (TPMC500-11, -13, -21 and -23). The full-scale input voltage range is +/-10V for the TPMC500-10, -11, -20, -21 and 0V to 10V for the TPMC500-12, -13, -22, -23 (for a gain of 1).

Additionally the TPMC500 provides a sequencer to control the analog inputs without wasting CPU time. Each channel can be independently enabled and configured by a sequencer instruction RAM. After the last instruction of a programmed sequence has been completed the ADC data of all channels enabled for the sequence are stored in the data RAM. The repeat frequency of the sequencer can be programmed by using the sequence timer. The sequence timer is programmable from 100µs to 6.5535sec in steps of 100µs. Whenever the timer reaches the programmed value the sequencer starts a new sequence. A special function is the sequencer continuous mode. It is activated, if the sequence timer register is set to 0. In this mode the sequencer will start again with the first instruction of the sequence as soon as the last instruction of the previous sequence has been completed.

Each TPMC500 is factory calibrated. The calibration data is stored in an EEPROM unique to each TPMC500.

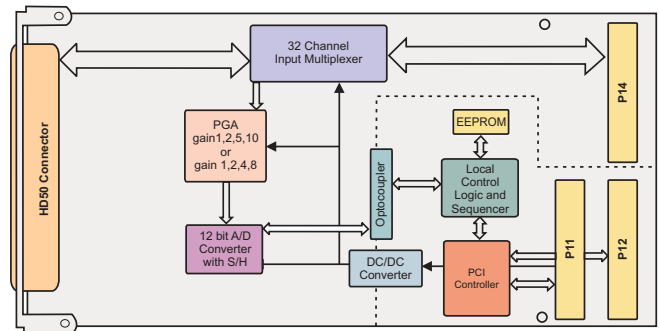


For First Time Users the engineering documentation TPMC500-ED is recommended. The engineering documentation includes TPMC500-DOC, schematics and data sheets.

Driver software (TPMC500-SW-xx) is available for different operating systems.

#### Technical Information

- Standard single-width 32 bit PMC module conforming to IEEE P1386.1
- PCI 2.1 compliant interface
- Board size: 149mm x 74mm
- 32 single-ended or 16 differential channels of isolated 12 bit A/D conversion
- Acquisition and conversion time up to 10 µs without and up to 12.5 µs with channel / gain change
- ESD protected input multiplexer
- Programmable gain amplifier: gain 1,2,5,10 or 1,2,4,8
- 12 bit A/D converter with internal S/H and reference
- Full-scale input range +/-10V at gain 1
- Interrupt capability at end-of-conversion
- Factory calibrated, calibration information stored in EEPROM



#### Order Information

- TPMC500-10** 32 Single-ended or 16 Differential Channels of Isolated 12 bit A/D, gain 1, 2, 5, 10, input range +/-10V, front panel I/O
- TPMC500-11** Same as TPMC500-10 but programmable gain of 1,2,4,8
- TPMC500-12** Same as TPMC500-10 but 0-10V inputs
- TPMC500-13** Same as TPMC500-10 but programmable gain of 1,2,4,8 and 0-10V inputs
- TPMC500-20** Same as TPMC500-10 but P14 I/O
- TPMC500-21** Same as TPMC500-11 but P14 I/O
- TPMC500-22** Same as TPMC500-12 but P14 I/O
- TPMC500-23** Same as TPMC500-13 but P14 I/O
- TPMC500-DOC** User Documentation
- TPMC500-ED** Engineering Documentation, includes TPMC500-DOC
- TA301-10** Cable Kit for modules with HD50 connector
- TPMC500-SW-12** OS-9 Software Support
- TPMC500-SW-32** pSOS Software Support
- TPMC500-SW-42** VxWorks Software Support
- TPMC500-SW-62** Windows NT 4.0 Software Support
- TPMC500-SW-65** Windows XP/2000/98 SE/ME Software Support
- TPMC500-SW-72** LynxOS Software Support
- TPMC500-SW-82** LINUX Software Support
- TPMC500-SW-92** QNX 4 Software Support
- TPMC500-SW-95** QNX 6 Software Support